



COSMOPOLITAN® ELECTROL®

Automatic Electric Projection Screen

SPECIFICATION DATA

DA-LITE SCREEN COMPANY, INC.
 3100 North Detroit Street
 Post Office Box 137
 Warsaw, Indiana 46581-0137
 Phone: 219/267-8101
 800-622-3737
 Fax: 219/267-7804
 http:// www.da-lite.com
 e-mail: info@da-lite.com

SUGGESTED SPECIFICATIONS: _____ projection screen(s), _____ (H) x _____ (W), electrically operated 120 volt (60 Hz) 1.2 amp. Shall have specially designed motor mounted inside the roller with a patented noise silencer to be three wire quick reversal type, oiled for life, with automatic thermal overload cut-out, integral gears, capacitor and an electric brake to prevent coasting. To have pre-set but adjustable limit switches to automatically stop picture surface in the "up" and "down" positions. The roller to be of rigid metal, 3" in diameter. Screen fabric to be flame retardant and mildew resistant fiberglass with Glass Beaded, Matte White, Video Spectra® 1.5 or High Power picture surface with black masking borders standard. Bottom of fabric shall be formed into a pocket holding a 3/8" diameter metal rod. Note: Video Spectra® 1.5 material to be a 7/8" diameter aluminum slat tube. Case to be 22-gauge embossed steel, hexagon in shape with flat back to prevent scraping fabric. Case end caps to be heavy duty, allowing no exposed roller pins. Powder coated, caps shall form sturdy brackets for wall or ceiling installation. To be complete with three position control switch in box with cover plate. Screen to be listed by Underwriters' Laboratories and CSA.



- Matte White:** Horizontal seams required when both dimensions exceed 10 feet.
- Glass Beaded:** Horizontal seams required when both dimensions exceed 8 feet.
- Video Spectra® 1.5:** Available in sizes where both dimensions do not exceed 8 feet.
- High Power:** Available in sizes up to and including 9 feet by 12 feet. Horizontal seams required when both dimensions exceed 6 feet.

DIMENSIONS

Sizes		A - Overall Length of Case		B - Between Hanger Eyes		Approx. Ship. Wt.	
H x W	Cm	In.	Cm	In.	Cm	Lbs.	Kg
50" x 50"	127 x 127	58"	147	56-1/2"	144	33	14.97
60" x 60"	152 x 152	68"	172	66-1/2"	169	38	17.24
70" x 70"	178 x 178	78"	198	76-1/2"	194	41	18.60
84" x 84"	213 x 213	92"	234	90-1/2"	230	49	22.23
6' x 8'	183 x 244	104"	264	102-1/2"	260	52	23.59
8' x 8'	244 x 244	104"	264	102-1/2"	260	55	24.95
7' x 9'	213 x 274	116"	295	114-1/2"	291	57	25.86
9' x 9'	274 x 274	116"	295	114-1/2"	291	62	28.12
8' x 10'	244 x 305	128"	325	126-1/2"	321	69	31.30
10' x 10'	305 x 305	128"	325	126-1/2"	321	72	32.66
9' x 12'	274 x 366	152"	386	150-1/2"	382	83	37.65
12' x 12'	366 x 366	152"	386	150-1/2"	382	84	38.10

VIDEO FORMAT DIMENSIONS

Viewing Area		Nominal Diagonal		A - Overall Length of Case		B - Between Hanger Eyes		Approx. Ship. Wt.,	
H x W	Cm	In.	Cm	In.	Cm	In.	Cm	Lbs.	Kg
43" x 57"	109 x 145	72"	183	68"	173	66-1/2"	169	37	16.78
50" x 67"	127 x 170	84"	213	78"	198	76-1/2"	194	41	18.60
57" x 77"	145 x 196	96"	244	92"	234	90-1/2"	230	48	21.77
60" x 80"	152 x 203	100"	254	92"	234	90-1/2"	230	48	21.77
69" x 92"	175 x 234	120"	305	104"	264	102-1/2"	260	52	23.59
87" x 116"	221 x 295	150"	381	128"	325	126-1/2"	321	70	31.75
105" x 140"	267 x 356	180"	457	152"	386	150-1/2"	382	83	37.65
120" x 160"	305 x 406	200"	508	172"	437	170-1/2"	433	93	42.18

HDTV FORMAT DIMENSIONS

Viewing Area		Nominal Diagonal		A - Overall Length of Case		B - Between Hanger Eyes		Approx. Ship. Wt.,	
H x W	Cm	In.	Cm	In.	Cm	In.	Cm	Lbs.	Kg
45" x 80"	114 x 203	92"	234	92"	234	90-1/2"	230	48	21.77
52" x 92"	132 x 234	106"	269	104"	264	102-1/2"	260	51	23.13
58" x 104"	147 x 264	119"	302	116"	295	114-1/2"	291	56	25.40
65" x 116"	165 x 295	133"	338	128"	325	126-1/2"	321	60	27.22
78" x 139"	201 x 353	159"	404	152"	386	150-1/2"	382	82	37.20

Overall case length dimensions ± 1/4".

Detail dimensional drawings, wiring diagrams and installation instructions available upon request.

Specifications subject to change without notice.

NOTE: Letterbox formats available upon request.

WHEN ORDERING, MARK APPROPRIATE SELECTIONS:

Select size from charts on the other side.

Select viewing surface:

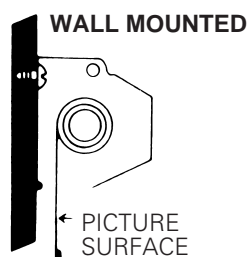
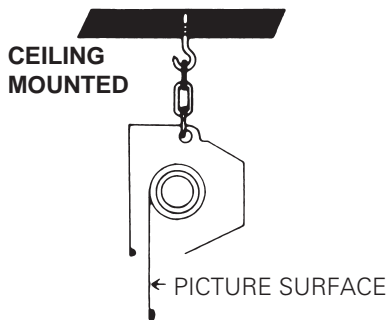
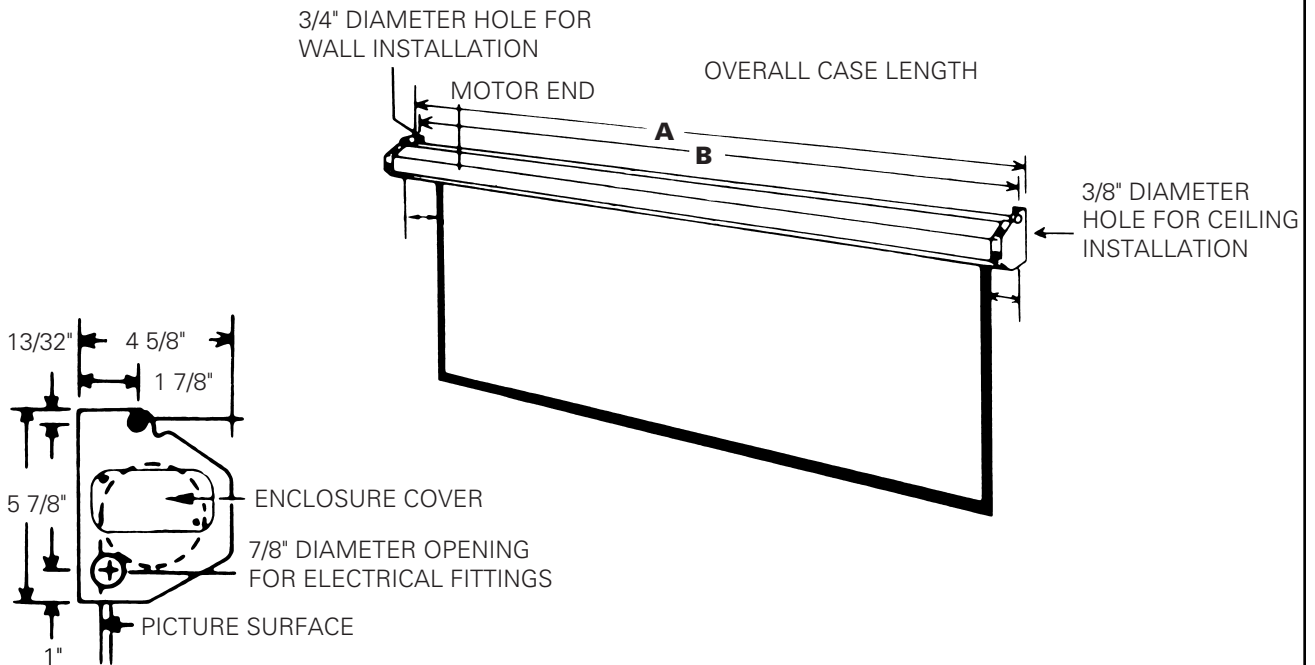
- Matte White
- Glass Beaded
- Video Spectra® 1.5
- High Power

Optional Accessories:

- Black "Extra Drop" to lower picture area more than normal. Maximum total drop 13' (396 Cm) including picture area.
Length of extra drop required _____ Top ____ or Bottom _____ of screen.
- White "Extra Drop" to lower picture area more than normal. Maximum total drop 13' (396 Cm) including picture area.
Length of extra drop required _____ Top ____ or Bottom _____ of screen.
- No borders (Black masking borders standard).
- Single Motor Low Voltage Control System - 3-Button.
- Wireless Remote Control for LVC System.
 - Radio Frequency Remote
 - Infrared Remote
- Key Locking Switch Cover Plate for 120 V Switch or 3-Button Switch.
- Key Operated Switch for 120 V only (Note: Cannot be used with low voltage system).
- 220 Volt (50 Hz) Motor.
- Video Projector Interface Control - 12 V or 5 V.
- Floating Mounting Bracket.

Project:	_____
Architect:	_____
Phone:	_____
Contractor:	_____
Phone:	_____
Supervisor:	_____
Phone:	_____
Supplier:	_____
Date:	_____
Revised:	_____

METHODS OF INSTALLATION



USE No. 6 BRACKETS TO HANG BEHIND BEAM OR VALANCE

