

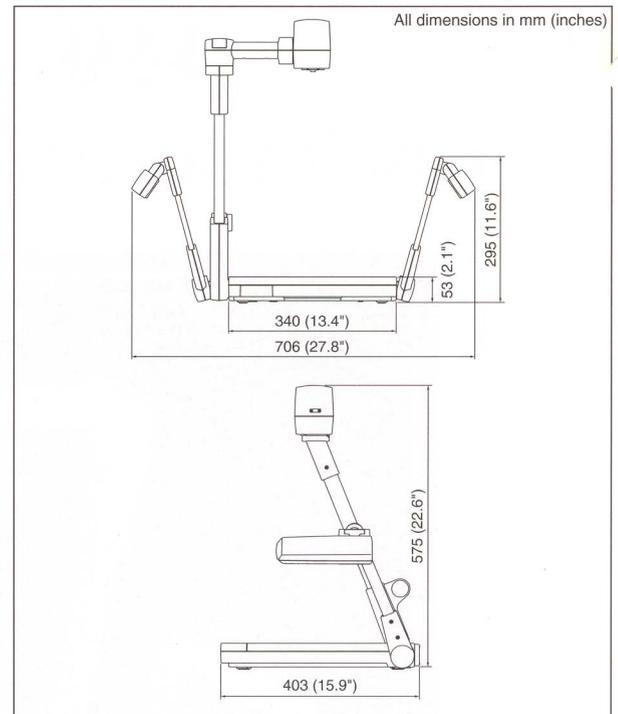
HIGH RESOLUTION VISUAL PRESENTER HV-3000XG

SPECIFICATIONS

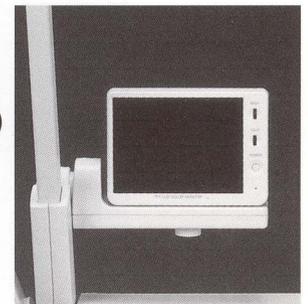
Power	Power source	AC single-phase, 60/50Hz	
	Power consumption	0.3A (50W)	
Optics	Lens	10x (f=5.8mm to 58mm), F2.8	
	Shooting area	Max.340 x 252 mm (13.4" x 9.9"), Min.38 x 28 mm (1.5" x 1.1")	
	Zooming	Powered (with double speed function)	
	Focusing	Auto/ Manual	
	Iris	Auto(with level adjustment)/ Manual	
Picture	Image pick-up element	1/3" progressive scan CCD	
	Effective picture element	1024 (H) x 768 (V)	
	Sync. system	Internal	
	Resolution	More than 600(H)x600(V) TV lines (RGB output) More than 400(H)x400(V) TV lines (Video output)	
	Analog RGB output	XGA (1024x768@60Hz), VESA	
	C-Video output	NTSC/PAL conformable	
	White balance	Auto/One-push/Manual	
	Gamma selection	Built-in (1.0/0.6)	
	Flicker correction	Built-in (60/50Hz)	
	Frame rate	15 frame/sec.	
	Color/B&W selection	Built-in	
	Detail compensation	Built-in	
	Arrow video pointer	Built-in (can be controlled by mouse or wireless remote control)	
	Pause mode	Built-in	
	On screen display	Built-in	
	Input/output	Input selection	Internal/RGB1
		RGB input	Mini DSUB 15 Pin connector female
RGB output		Mini DSUB 15 Pin connector female	
Video output		Composite video jack x 1	
Others		Upper lighting unit	Built-in, 9W fluorescent lamp x2
	Head rotation	Built-in	
	External control	RS-232C	
	USB	Type B receptacle	
	DC output	DC 12V (max.0.9A)	
	Carrying handle	Built-in	
	Wireless remote control	Supplied	
	Mouse	Supplied	
	PC link software	Supplied (Image Mate for HV-400XG/3000XG/3500XG)	
	Dimensions	Set-up	706(W) x 403(D) x 575(H)mm (27.8" x 15.9" x 22.6")
		Folded	500(W) x 612(D) x 99(H)mm (19.7" x 24.1" x 3.9")
	Weight	6.5kgs (14.3lbs) (main body only)	

Note : Weight and dimensions are approximate.
Design and specifications are subject to change without prior notice.

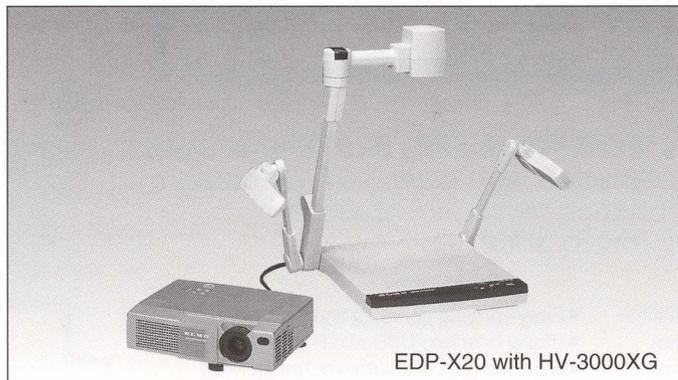
PROFILE



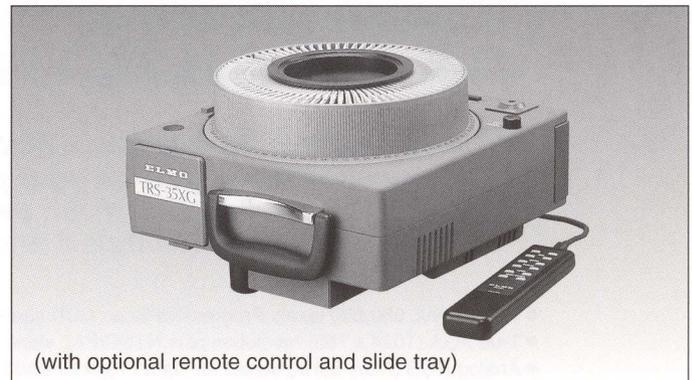
**Optional 5" TFT
LCD Color Monitor
(LM-5011N) and
Monitor Shoe (MS-402)**



Other ELMOs to give your presentations amazing diversity!



LCD Data Projector, EDP-X20
True XGA (1024 x 768) plus compressed SXGA resolution



High Resolution Slide Film Presenter, TRS-35XG
XGA resolution of 1/3" 850,000 pixels CCD

ELMO ELMO CO., LTD.

Additional technical information is available from any of the following subsidiary companies;

ELMO Mfg. Corp.
1478 Old Country Road,
Plainview, NY 11803-5034, U.S.A.
Tel. 516-501-1400 Fax. 516-501-0429
E-mail:elmo@elmousa.com
Web:http://www.elmousa.com

ELMO Canada Mfg. Corp.
44 West Drive, Brampton,
Ontario, L6T 3T6, Canada
Tel. 905-453-7880 Fax. 905-453-2391
E-mail:info@elmocanada.com
Web:http://www.elmocanada.com

6-14, Meizen-cho, Mizuho-ku,
Nagoya, 467-8567, Japan
E-Mail:foreign-div@elmo.co.jp

Distributed by

ELMO (Europe) G.m.b.H.
Neanderstr 18,
40233 Düsseldorf, Germany
Tel. 0211-376051-53 Fax. 0211-376630
E-mail:elmoeurope@AOL.com
Web:http://www.elmo.de/